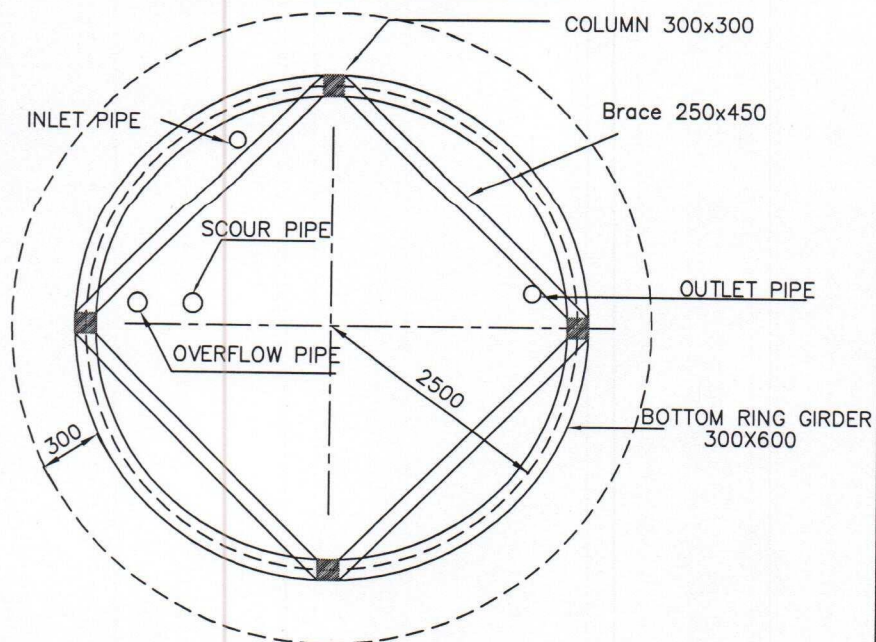


**SECTIONAL ELEVATION**



**PLAN** *11 APPROVED 11*

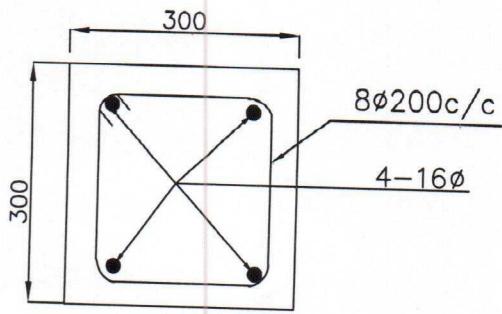
**NOTES**

1. Grade of Concrete : M30
2. Grade of Steel : Fe500
3. Clear minimum cover
  - a) Water face:
    - Side walls : 45MM
    - Top & Bottom slabs : 45MM
    - Beams : 45MM
  - b) Away from Water face:
    - Side walls : 25MM
    - Top & Bottom slabs : 25MM
    - Beams : 25MM
  - c) Columns : 40MM
  - d) Footings : 50MM
4. All dimension are in 'mm' unless specified.
5. The steel should not be overlapped at the junction points
6. Not more than 1/2 of the bars should be curtailed at a given section
7. Suitable PVC pipe casing has to be Provided in the staircase column up to the top, for installation of lightening Arrester.
8. Seismic Zone : II
9. Wind speed : 44 m/s (Wind pressure: 1.6 kN/m<sup>2</sup>)
10. free board: 0.2m
11. Dead storage : 0.15m
12. Total staging is 12m and has to be adjusted in last staging
13. The bottom Brace is considered at a height of 2m from top of the Raft ring beam.
14. For detailing of reinforcement IS SP-34 shall be followed .

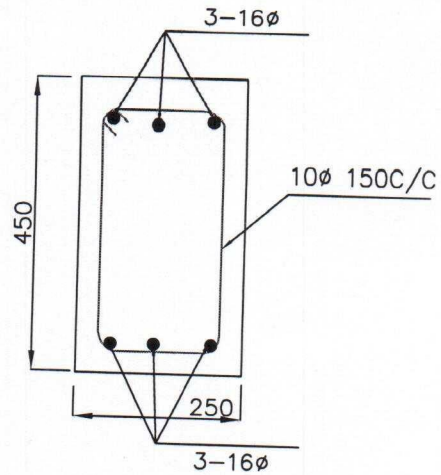
**Government of Telangana.**  
**Rural Water Supply & Sanitation**  
**Department**

**Construction of 40 KL capacity**  
**OHSR/OHBR 12m staging column type**

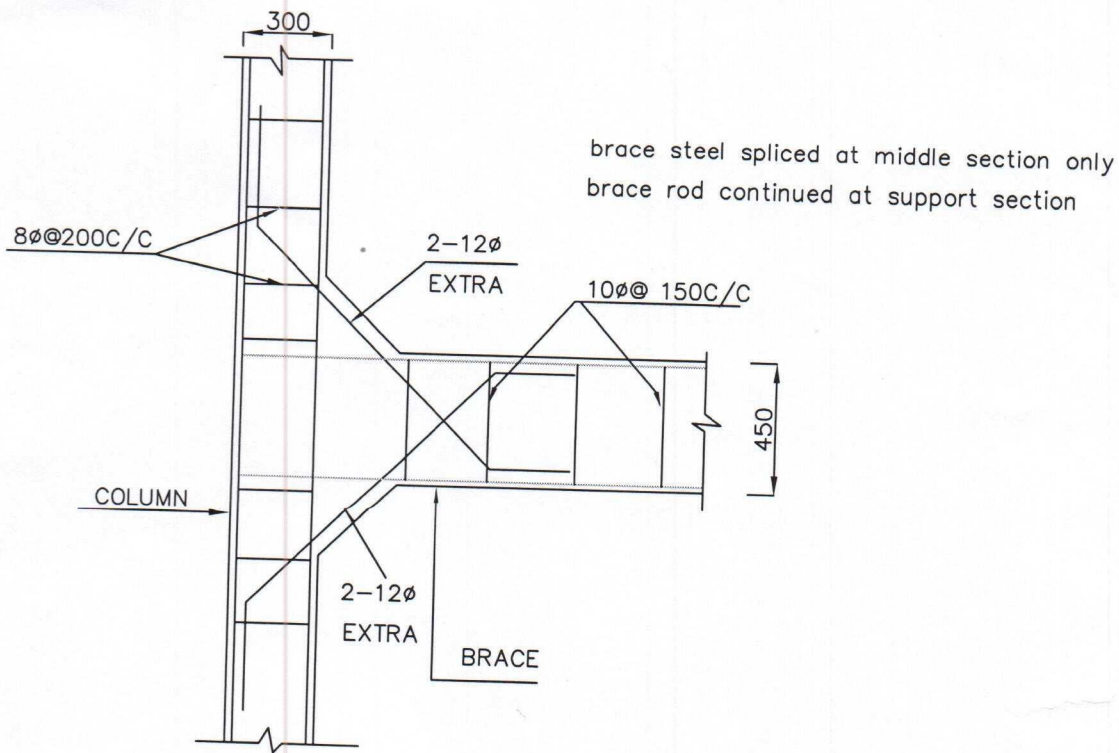
*15/9*  
*CE-I CE-II CE-III*  
*TDWSP, Hyderabad.*  
*Dr. [Signature]*



SECTION OF COLUMN



SECTION OF BRACE

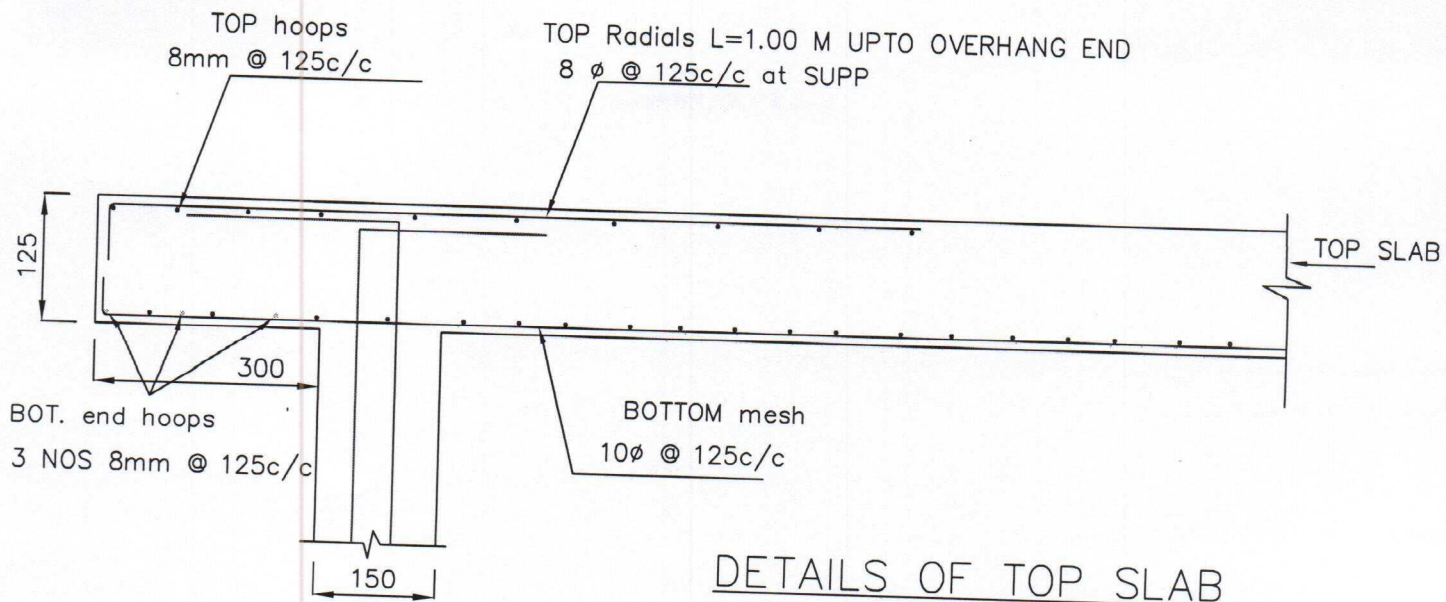


COLUMN BRACE JUNCTION

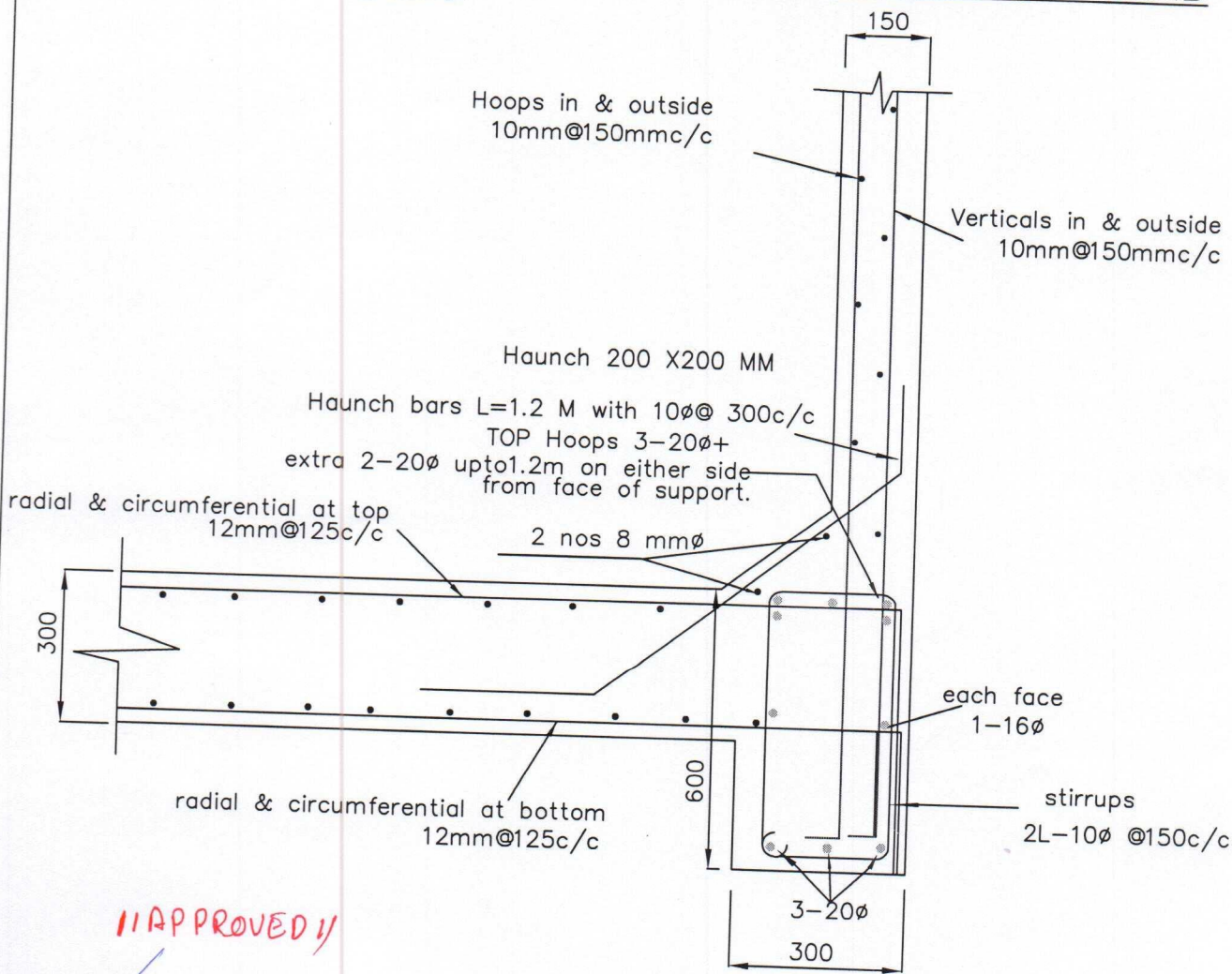
|| APPROVED ||

CE-I, CE-II, CE-III
   
 TDWSP, Hyderabad.
   
 12/4, 13/4, 13/4, 13/4/2017, 13/4

Government of Telangana.	
Rural Water Supply & Sanitation Department	
Construction of 40 KL capacity OHSR/OHBR 12m staging column type	
Scale: Not to scale	sheet: 2 of 8



DETAILS OF TOP SLAB



BOTTOM RING BEAM

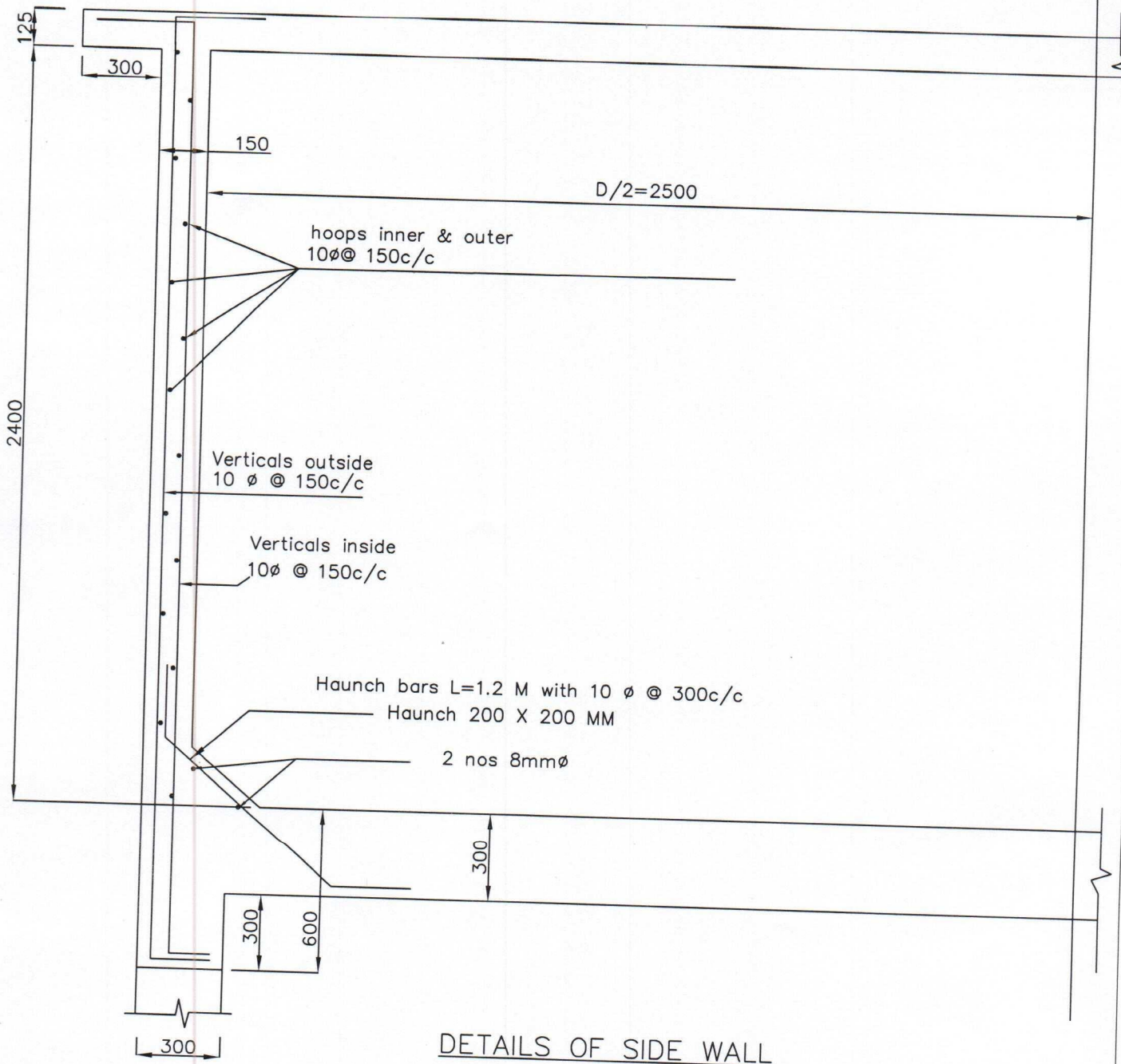
|| APPROVED ||

G. K. N. Reddy  
15/11  
CE-1  
CE-11  
CE-111

TOWSP, Hyderabad.

13/4  
13/4  
13/4  
13/4/2018  
13/4  
EE

Government of Telangana.	
Rural Water Supply & Sanitation Department	
Construction of 40 KL capacity OHSR/OHBR 12m staging column type	
Scale: Not to scale	sheet: 3 of 8



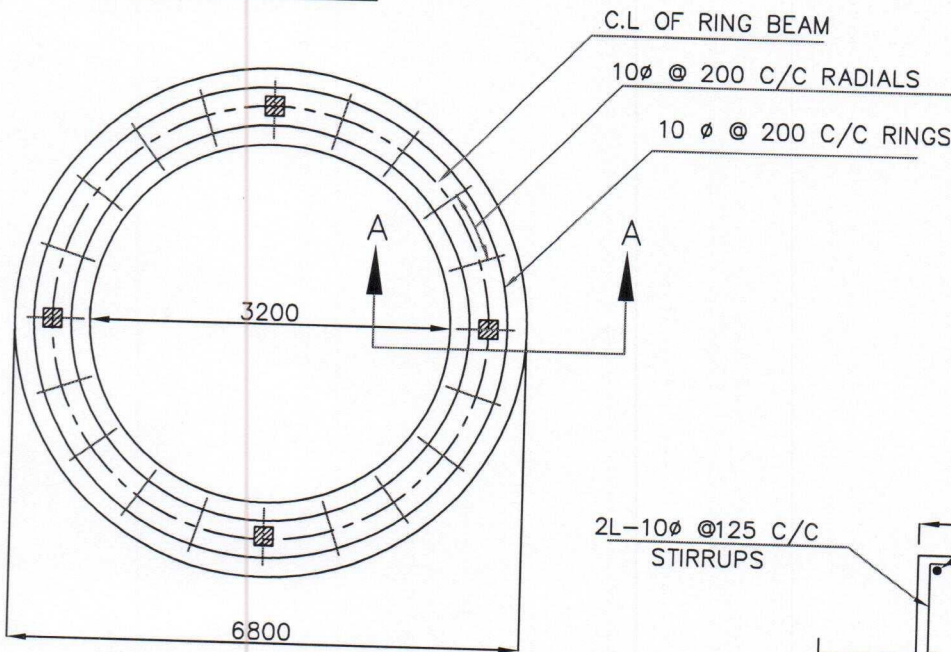
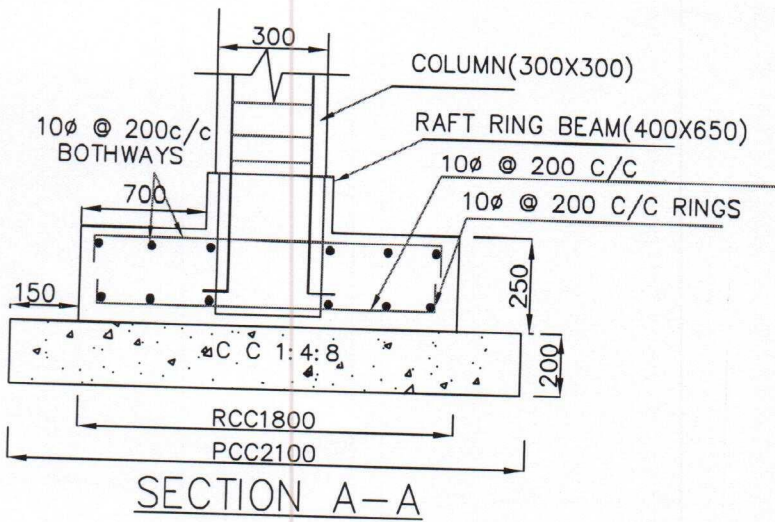
DETAILS OF SIDE WALL

|| APPROVED ||

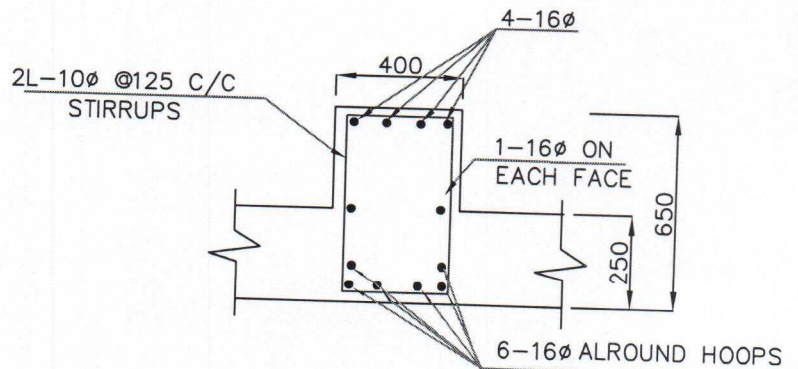
CE-I  
 CE-II  
 CE-III  
 TDWSP, Hyderabad

12/4  
 13/4  
 13/4/17  
 13/4  
 EE

Government of Telangana.	
Rural Water Supply & Sanitation Department	
Construction of 40 KL capacity OHSR/OHBR 12m staging column type	
Scale: Not to scale	sheet: 4 of 8



BOTTOM REINFORCEMENT OF RING FOUNDATION  
 SBC -7.5t/m<sup>2</sup>



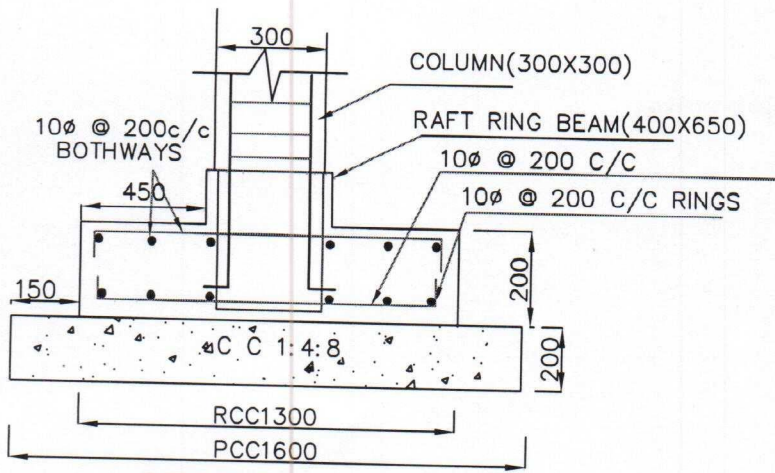
SECTION OF RING RAFT BEAM

II APPROVED II

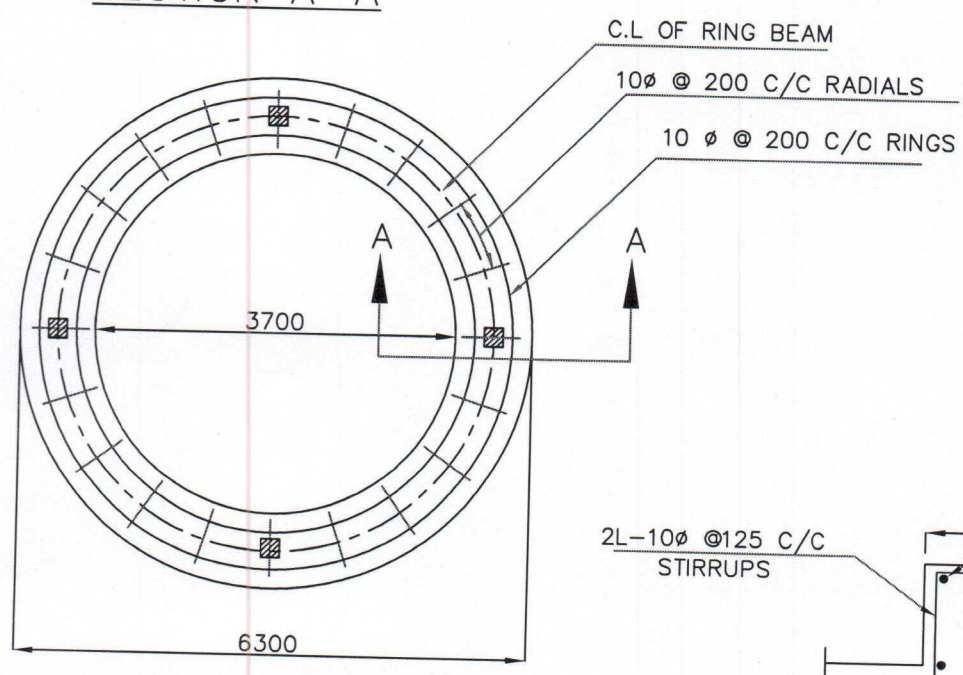
CE-I, CE-II, CE-III  
 TDWSP, Hyderabad.

12/4  
 13/4  
 15/4  
 13/13  
 13/4  
 EE

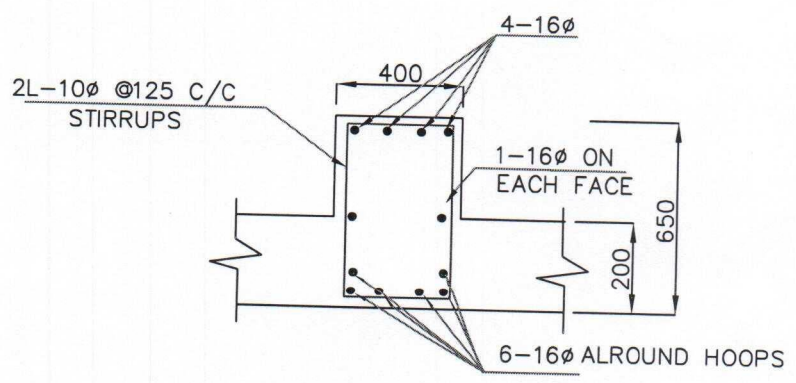
Government of Telangana.	
Rural Water Supply & Sanitation Department	
Construction of 40 KL capacity OHSR/OHBR 12m staging column type	
Scale: Not to scale	sheet: 5 of 8



SECTION A-A



BOTTOM REINFORCEMENT OF RING FOUNDATION  
SBC -15t/m<sup>2</sup>

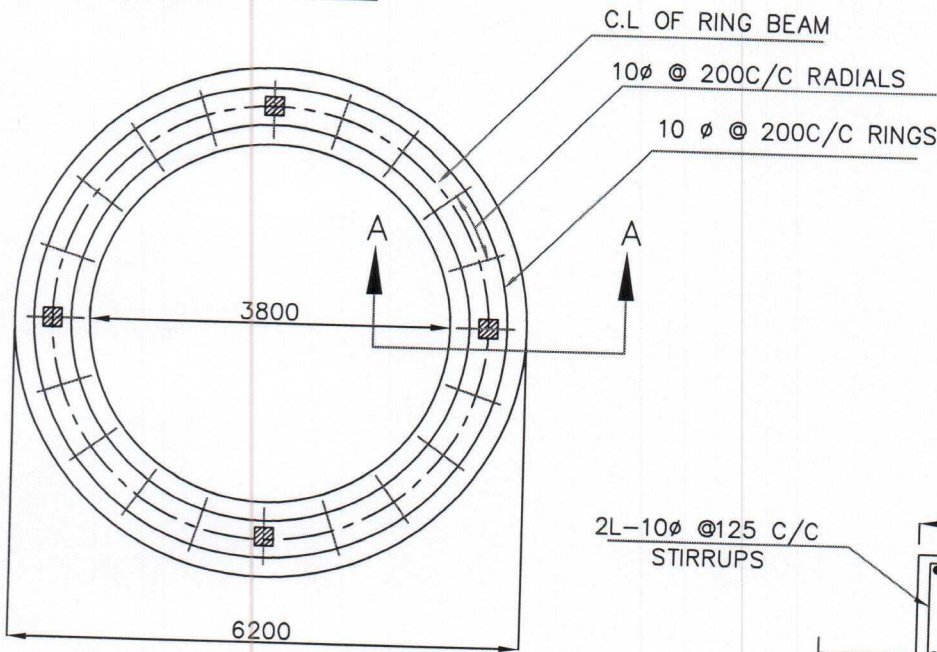
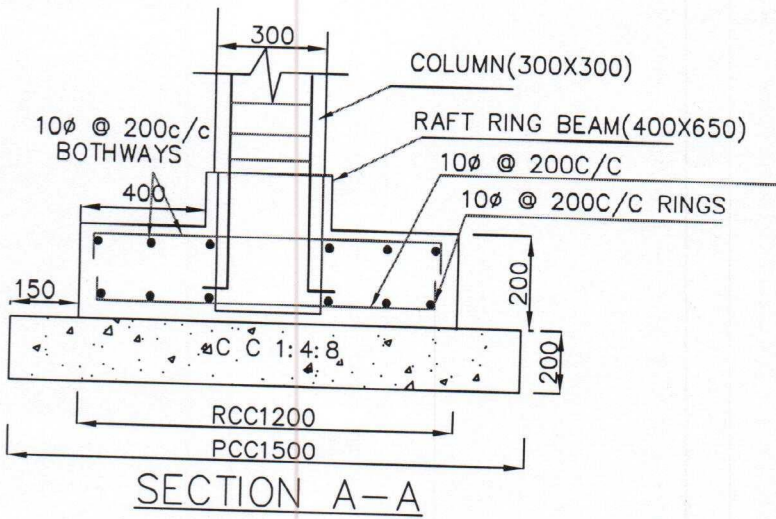


SECTION OF RING RAFT BEAM

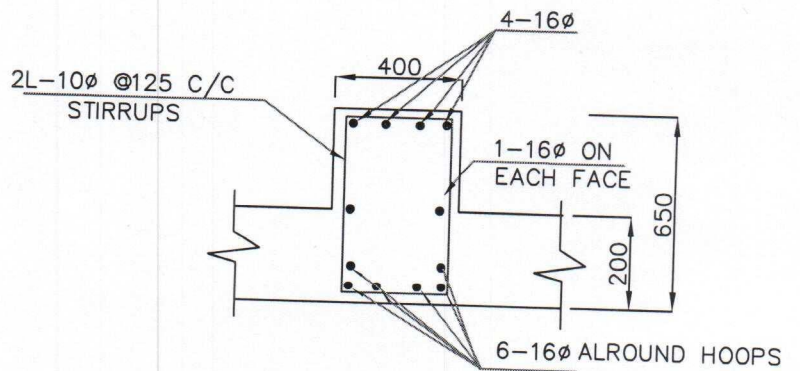
|| APPROVED ||

*G. V. Rao* 15/14  
 CE-I, CE-II, CE-III  
 TDWSP, Hyderabad  
*M* 13/1/12  
*M* 11/4/12  
*BE*

Government of Telangana.	
Rural Water Supply & Sanitation Department	
Construction of 40 KL capacity OHSR/OHBR 12m staging column type	
Scale: Not to scale	sheet: 6 of 8



BOTTOM REINFORCEMENT OF  
RING FOUNDATION  
SBC -20t/m<sup>2</sup>



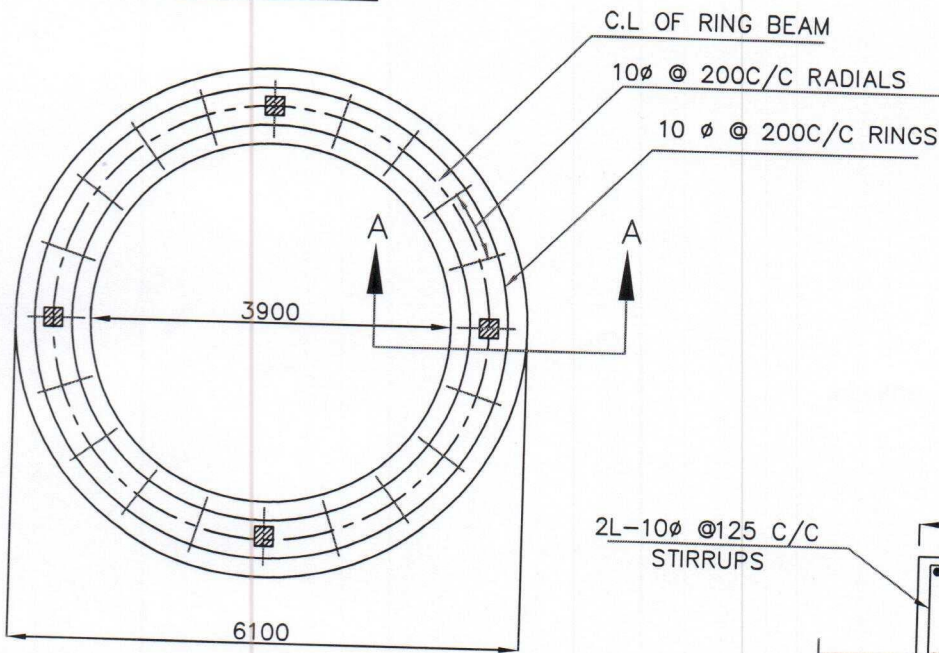
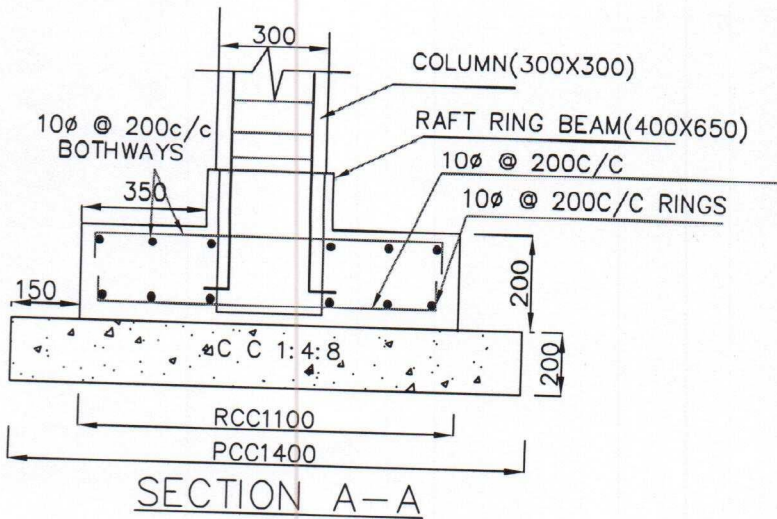
SECTION OF RING RAFT BEAM

|| APPROVED ||

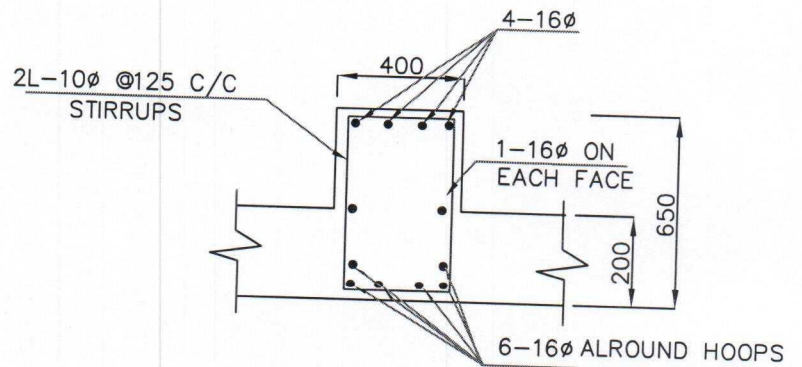
*G. Muneer*  
 CE-I, CE-II, CE-III  
 TDWSP, Hyderabad.

*12/4* *13/4* *13/9* *13/17* *13/4*  
 EE

Government of Telangana.	
Rural Water Supply & Sanitation Department	
Construction of 40 KL capacity OHSR/OHBR 12m staging column type	
Scale: Not to scale	sheet: 7 of 8



BOTTOM REINFORCEMENT OF  
RING FOUNDATION  
SBC -30t/m<sup>2</sup>



SECTION OF RING RAFT BEAM

11 APPROVED 11

CE-I, CE-II, CE-III  
 TDWSP, Hyderabad.  
 13/4  
 13/4  
 13/4  
 13/4  
 13/4  
 13/4

Government of Telangana.	
Rural Water Supply & Sanitation Department	
Construction of 40 KL capacity OHSR/OHBR 12m staging column type	
Scale: Not to scale	sheet: 8 of 8